

## TECS Residual Current Circuit Breakers (RCCB)

# EPR SERIES



Código Larce 2P 300mA AC:

0405006019  
0405006021  
0405006022

### Functions

Detection and interruption of earth leakage current

### Application

Protect a circuit or an installation against dangerous residual current

### Standards and Certificates

16-63A IEC61008-1 SEMKO, CE, KEMA, SIRIM, SNI  
80A IEC61008-1 SEMKO, CE, KEMA, SIRIM, SNI(2P)  
100A IEC61008-1 SEMKO, CE



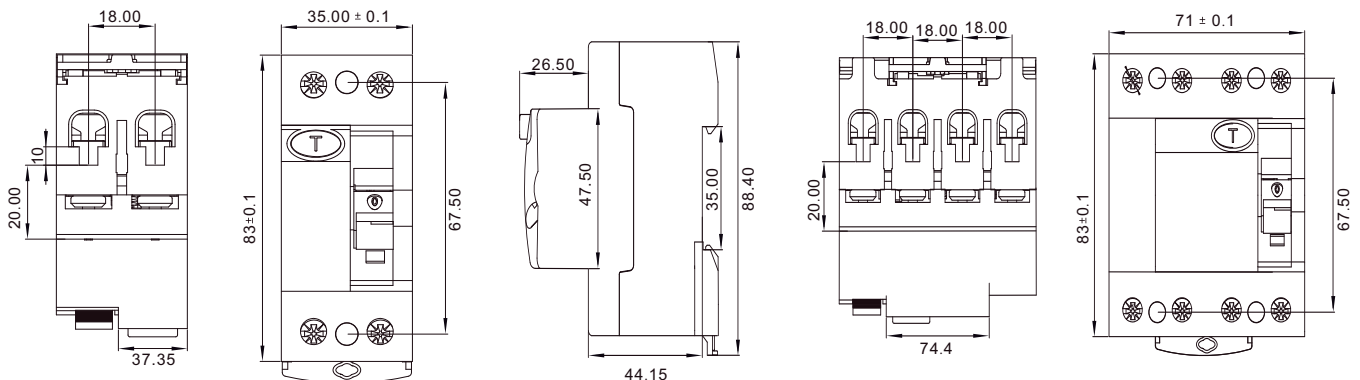
### Specifications

Rated Voltage	Phase to Neutral 240V / Phase to Phase 415V	
Capacity	6 kA	
Poles	2P / 4P	
Ampere	16 / 20 / 25 / 32 / 40 / 63 / 80 / 100A	
Rated Residual Operating Current	10 / 30 / 100 / 300mA	2P (16,20,25,32,40A) 4P (16,20,25,32A) 30 / 100 / 300mA 2P/4P(40,63,80,100A)
Residual Current Characteristics	A / AC	
Frequency	50/60Hz	
Calibration Temperature	30°C	
Operating Temperature	-25°C to +55°C	
Protection Degree	IP20	
Electrical Endurance	> 4,000 cycles	
Mechanical Endurance	> 8,000 cycles	
Weight	2P = 206g / 4P = 412g	

### Wiring Capacity

Rigid Conductor 25mm<sup>2</sup> Maximum  
Flexible Conductor 16mm<sup>2</sup> Maximum

### Dimension



**LARCE ELECTRIC**

+56 22651330 [www.larce.cl](http://www.larce.cl) [contacto@larce.cl](mailto:contacto@larce.cl)  
Oficina Comercial: Hannover 5462, Ñuñoa, Santiago  
Planta Industrial Casablanca: Ruta 68 Km.70, V Reg. Zona Ind. El Refugio