

DATA SHEET: TEMBREAK 2 S160-SCF MCCB

Código Larce 3P: 0403001061 0403001062 0403001063 0403001064 0403001065 0403001066
0403001067 0403001068 0403001069 0403001070 0403001071

MCCB Electrical Characteristics to IEC 60947-2, EN 60947-2, JIS C 8201-2-1 ANN.1, NEMA AB-1

| Frame Reference | Quantity | Unit | Condition | TB2 Lite 160 |
|--|------------|------------------|--|--|
| Max in (A) of Frame | | | | 160 |
| Model | | | | S160 |
| Number of Poles | | | | 3, 4 |
| Type | | | | SCF |
| Nominal current ratings | | | | |
| | I_n | (A) | 50°C | 16,20,25,32 40,50,63,80, 100,125,160 |
| Electrical characteristics | | | | |
| Rated operational voltage | U_e | (V) | AC 50/60 Hz DC | 525 250 |
| Rated insulation voltage | U_i | (V) | | 690 |
| Rated impulse withstand voltage | U_{imp} | (kV) | | 8 |
| Ultimate breaking capacity (IEC, JIS, AS/NZS) | I_{cu} | (kA) | 690V AC 525V AC 440V AC 400/415V AC 220/240V AC 250V DC | - 7.5 15 25 35 20 |
| Service breaking capacity (IEC, JIS, AS/NZS) | I_{cs} | (kA) | 690V AC 525V AC 440V AC 400/415V AC 220/240V AC 250V DC | - 4 7.5 13 18 10 |
| Rated breaking capacity (NEMA) | | (kA) | 480V AC 240VAC | 7.5 35 |
| Protection | | | | |
| Fixed thermal, fixed magnetic | | | | ■ |
| Adjustable thermal, fixed magnetic | | | | - |
| Utilisation category | | | | A |
| Installation | | | | |
| Front connection (FC) | | | | ■ |
| Extension bar (FB) | | | | ● |
| Cable clamp (FW) | | | | - |
| Rear connection (RC) | | | | ● |
| Plug-in (PM) | | | | - |
| DIN rail mounting (DA) | | | | ● |
| Dimensions | height | (mm) | | 130 |
| | width | (mm) | 3 pole, (1 pole) 4 pole | 75 100 |
| | depth | (mm) | | 68 |
| Weight | weight | (kg) | 3 pole, (1 pole) 4 pole | 0.8 1.0 |
| Operation | | | | |
| Direct Opening Action | | | | ■ |
| Toggle operation | | | | ■ |
| Door mounted (HS) / Breaker mounted handle (HB) | | | | ● |
| Motor operation | | | | - |
| Endurance | Electrical | cycles cycles | 415V AC | 10,000 ^① 20,000 |

■ Standard ● Optional - Not Available

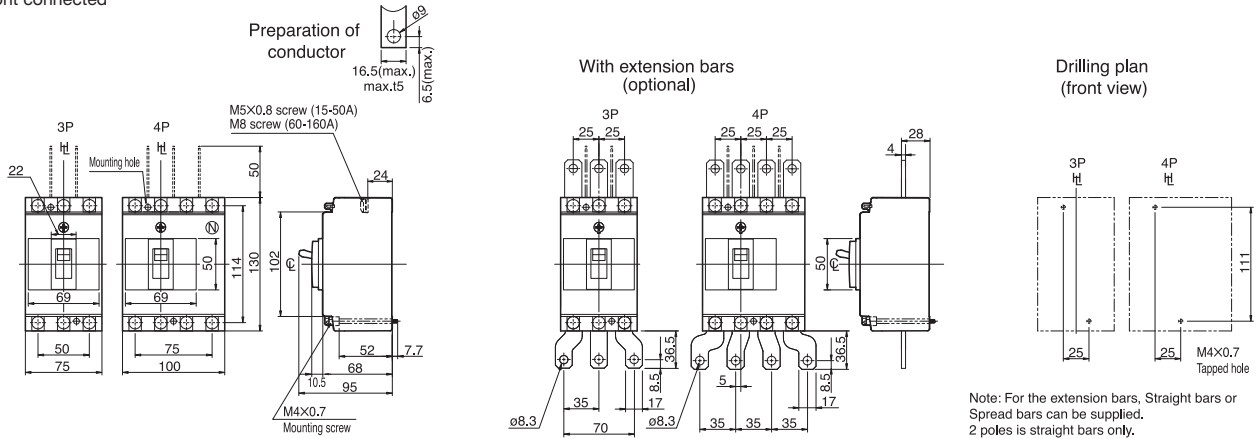
① 14,000 ≤ 125A

DATA SHEET: TEMBREAK 2 S160-SCF MCCB

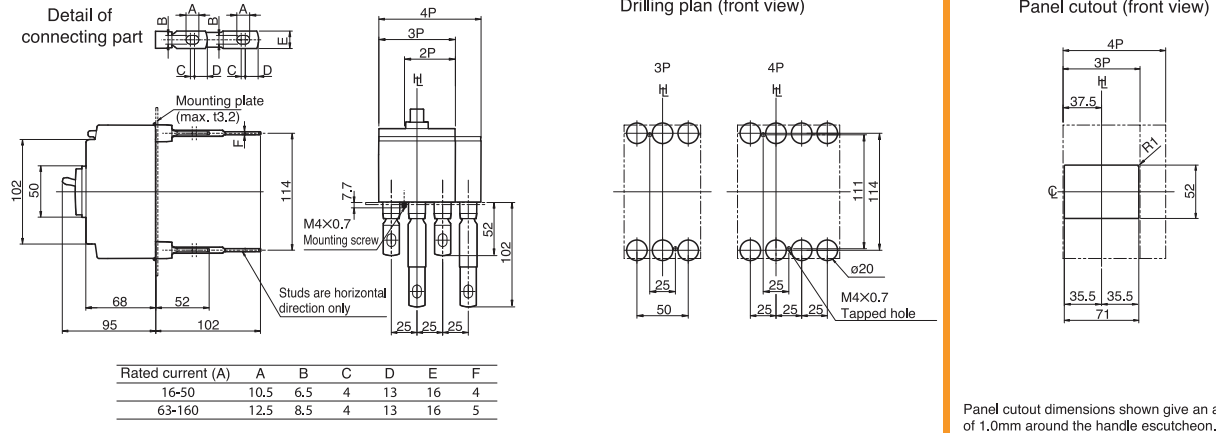
Outline Dimensions S160-SCF

ASL: Arrangement Standard Line Ht: Handle Frame Centre Line C: Handle Centre Line

Front connected



Rear connected



DATA SHEET: TEMBREAK 2 S160-SCF MCCB

Time/Current Characteristic Curves S160-SCF

